

## How it works



The basket wire is delivered distal to the location of the thrombus, deploying two nitinol self-expanding baskets.



The baskets capture the clot and are retracted into a nitinol collection funnel.



With the clot entrained, the system is retracted into a minimum 7 Fr guide sheath through which the clot is withdrawn and removed from the body.

Scan to watch full animation.

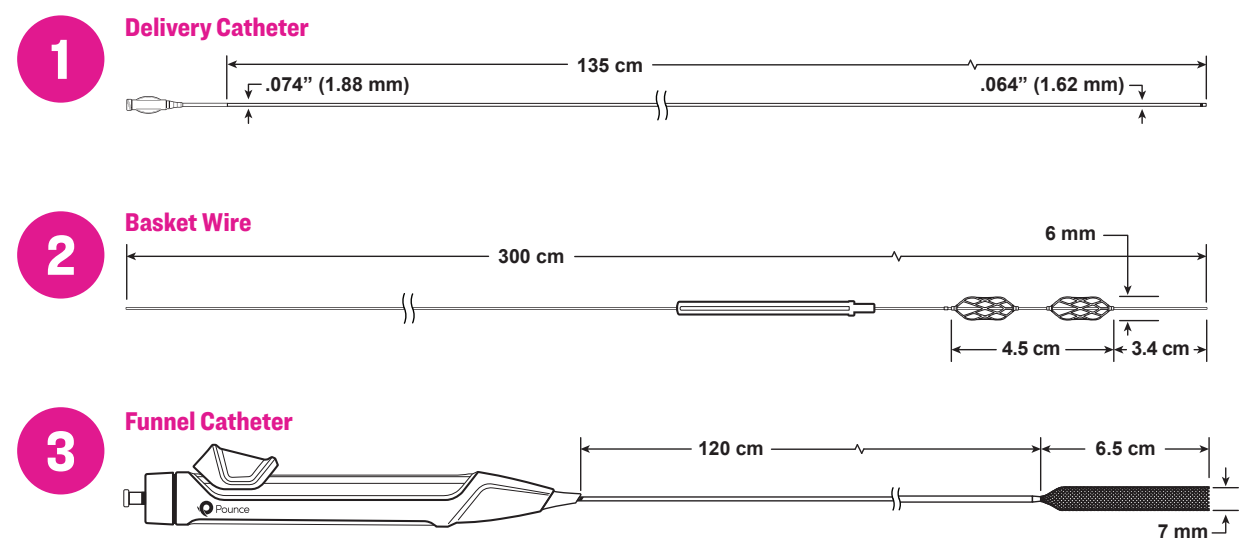


For additional information on the Pounce™ Thrombectomy System, please contact us at: **1-888-626-8501**  
To sign-up for news & product availability updates, visit [pouncesystem.com](http://pouncesystem.com)

### Product Specifications and Ordering Information

| Model Number   | Sheath Compatibility | Guidewire Compatibility |
|----------------|----------------------|-------------------------|
| PTS-0607-7F135 | ≥ 7 Fr               | 0.035" (0.889 mm)       |

| Working Length | Basket Diameter | Funnel Diameter |
|----------------|-----------------|-----------------|
| 135 cm         | 6 mm            | 7 mm            |



**Intended Use:** The Pounce™ Thrombectomy System is intended for the non-surgical removal of thrombi and emboli from the peripheral arterial vasculature.

#### Contraindications:

- The device is not intended for venous applications
- The device is not intended to be deployed in native vessels smaller than 3.5 mm or larger than 6 mm
- The device is not intended for peripheral vasculature dilatation
- The device is not for coronary or neurovascular use
- The device is contraindicated for use in patients who cannot receive recommended intravenous anticoagulant therapy
- The safety and effectiveness of the device has not been established in pediatric patients (<18 years of age)
- The device is not intended to be deployed in vessels with previously implanted devices



**SURMODICS**  
Surmodics, Inc.  
7905 Golden Triangle Drive  
Suite 190  
Eden Prairie, MN 55344 USA  
Toll Free: 888-626-8501  
Phone: 952-500-7400  
[www.pouncesystem.com](http://www.pouncesystem.com)

SURMODICS, POUNCE and the SURMODICS and POUNCE logos are trademarks of Surmodics Inc. and/or its affiliates.  
©2023 Surmodics, Inc. All rights reserved. SRDX-PTS-473 H 02/23

**Caution:** Federal (US) law restricts this device to sale by or on the order of a physician.  
Please refer to Instructions for Use for indications, contraindications, warnings, and precautions.



**Pounce™**  
Thrombectomy

POISED, POSITIONED

**READY TO  
POUNCE**

The Pounce™ Thrombectomy System  
strikes quickly to capture and remove clot.



The Pounce™ Thrombectomy System is designed for use in vessels ranging from **3.5 mm to 6 mm** in diameter.

## Grab, go, and restore flow

The Pounce™ Thrombectomy System was designed for use in time-critical situations. It's a "grab and go" percutaneous mechanical thrombectomy solution that empowers physicians to strike quickly, capturing and removing clot from the peripheral arterial vasculature **without requiring any capital equipment for operation.**

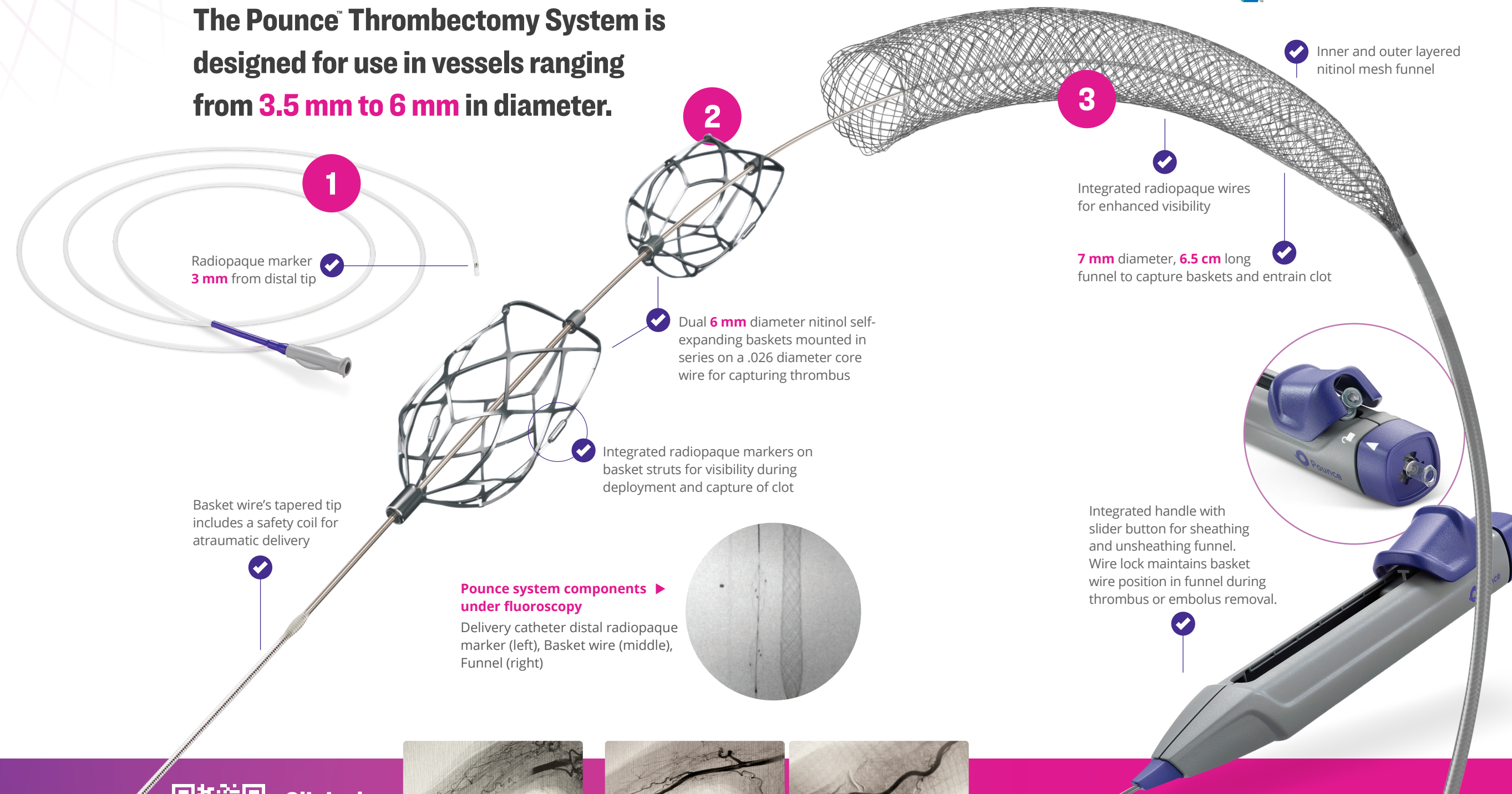
### What is included

The Pounce system is comprised of **three components:**

**1 Delivery Catheter**

**2 Basket Wire**

**3 Funnel Catheter**



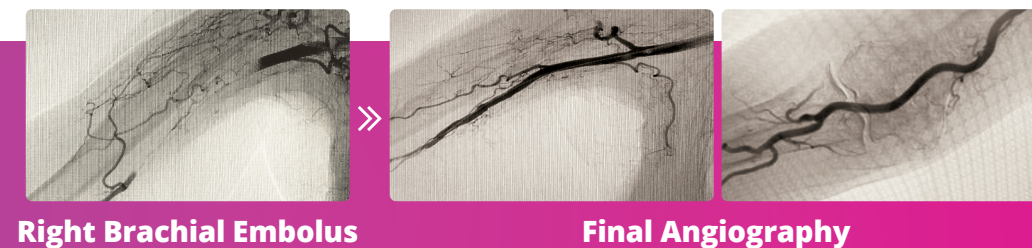
### The Pounce system is designed to:

- Remove thrombi and emboli from the peripheral arterial vasculature
- Reduce thrombolysis usage during complex thrombectomy procedures
- Be fully mechanical, not requiring capital equipment to minimize setup time and shelf space
- Minimize blood loss
- Be used quickly in time-critical situations while helping to reduce fluoroscopy time
- Reduce risk of hemolysis
- Be atraumatic to avoid arterial wall injury



### Clinical Case Reports

Learn more about the performance of this mechanical thrombectomy device. Scan the QR code or visit [pouncesystem.com/casereports](http://pouncesystem.com/casereports).



### Right Brachial Embolus

The initial angiogram revealed a tortuous brachial artery with an embolus obstructing flow into the radial and ulnar arteries.

### Final Angiography

Embolus removed from the right brachial artery after one pass with the Pounce system.

Flow reestablished into right radial and ulnar arteries after one pass with the Pounce system.